



4710 University Way NE #115
Seattle, WA 98105 (206) 529-1410
E-mail: info@CliftonLabs.net

The Clifton Labs *DVR-100* is a digital control unit for modern static excitation systems. System integrators can combine the *DRV-100* with a transformer and solid-state DC drive to assemble an economical, full-featured, open architecture, digital excitation system.

Features

- Microprocessor control
- Three-phase true RMS sensing
- Controls separate field current power stage
- Reactive compensation for parallel operation
- Manual, Voltage, Voltage Matching, VAR, and PF modes

Signal Inputs

- Three-phase generator voltage
- Single-phase bus voltage
- Single-phase paralleling CT

Control Contacts

- Run
- Raise
- Lower
- Manual/Auto
- Voltage Matching
- Reactive Power/Voltage
- VARS/PF
- Reactive compensation

Outputs

- Dry contact closed when voltage matches
- Analog 0-10 V DC drive control signal

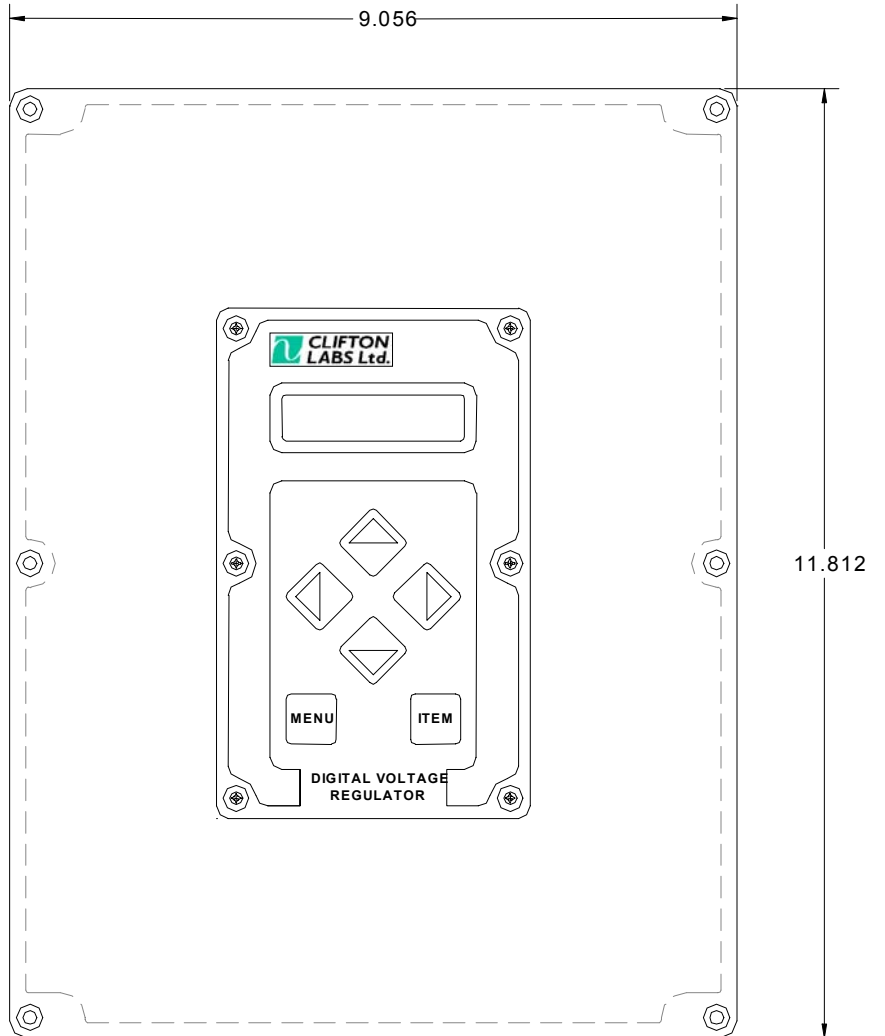
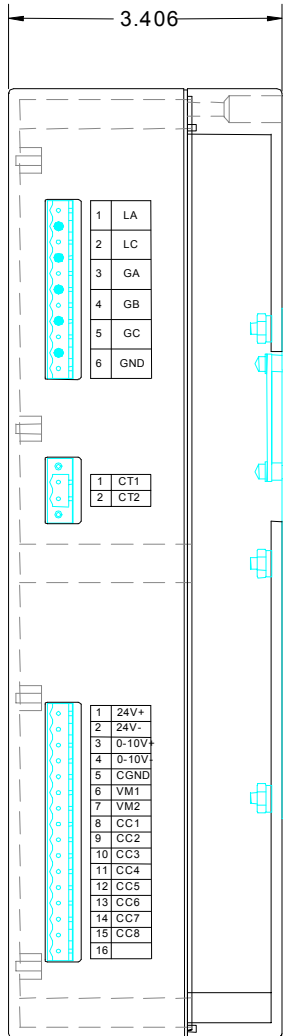
Specifications

- Power Supply: 18-32 VDC
- Reverse polarity protected
- Voltage sensing inputs 120 VAC nominal, 150VAC maximum
- Current sensing 5 A maximum

DVR-100



Dimensions



Connections

